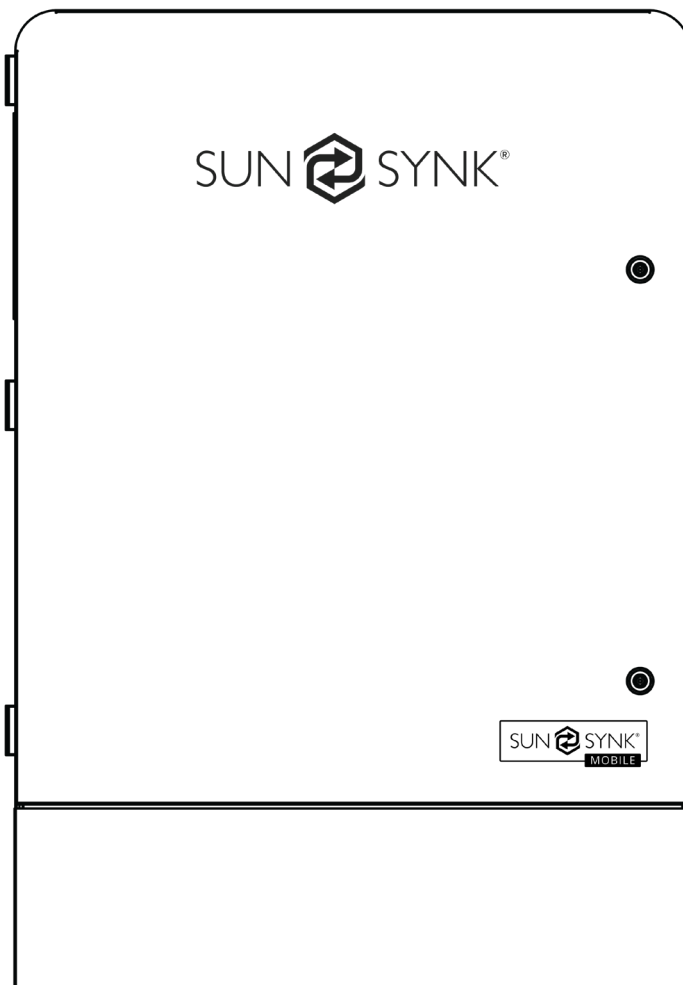




LIFELYNK OUTDOOR CABINET

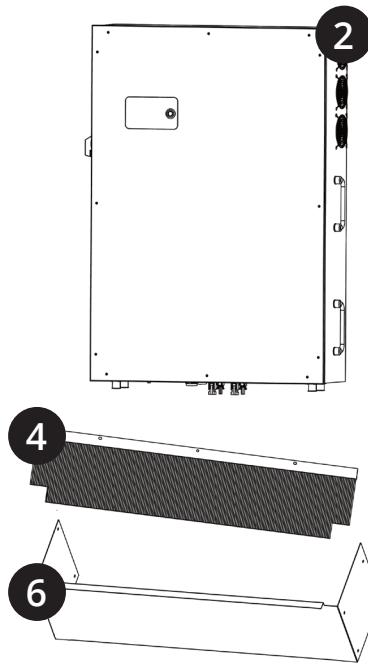
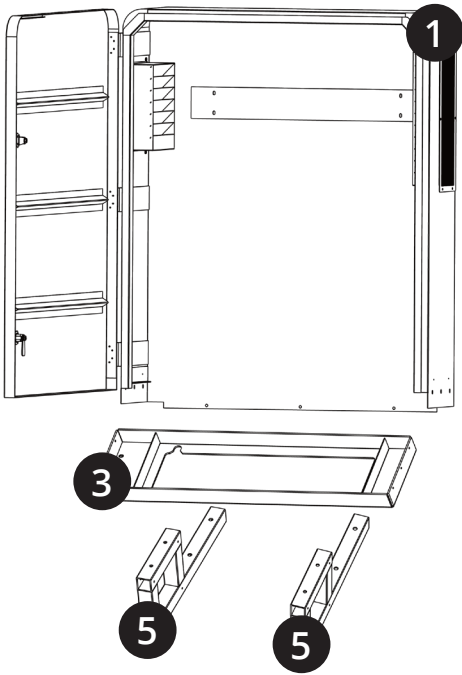
Build Instruction Manual



www.sunsynkmobile.com / sales@sunsynkmobile.com

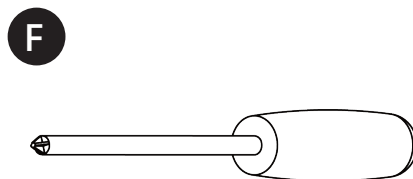
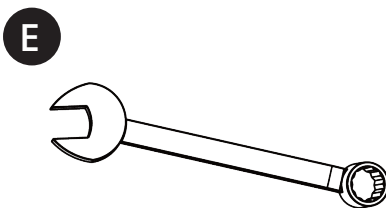
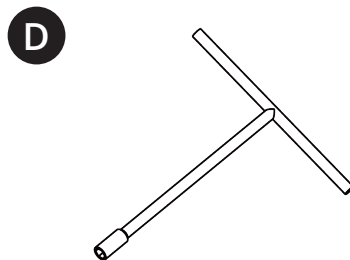
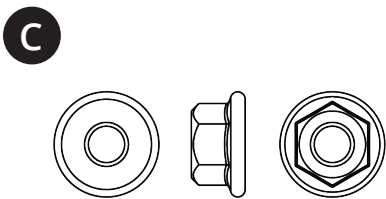
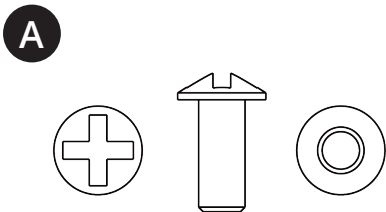


Parts & Component Lists



Parts -

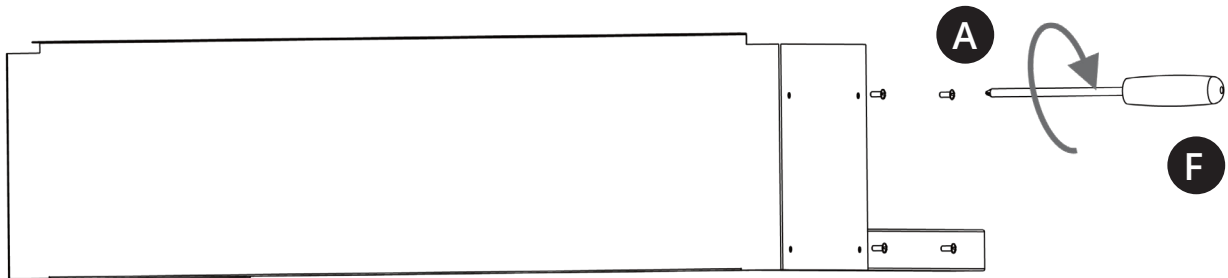
1. Main Structure
2. Lifelynk XL
3. Bottom Plate
4. Industrial Brush Strips
5. Base Plate Support
6. Front Panel



Components -

- A. Screw M5*12 (+15)
- B. Bolt M6*60 (+4)
- C. Nut M6 (+4)
- D. M6 Sleeve
- E. M6 Wrench
- F. Cross Screwdriver

Mounting the Front Panel



Please Note -

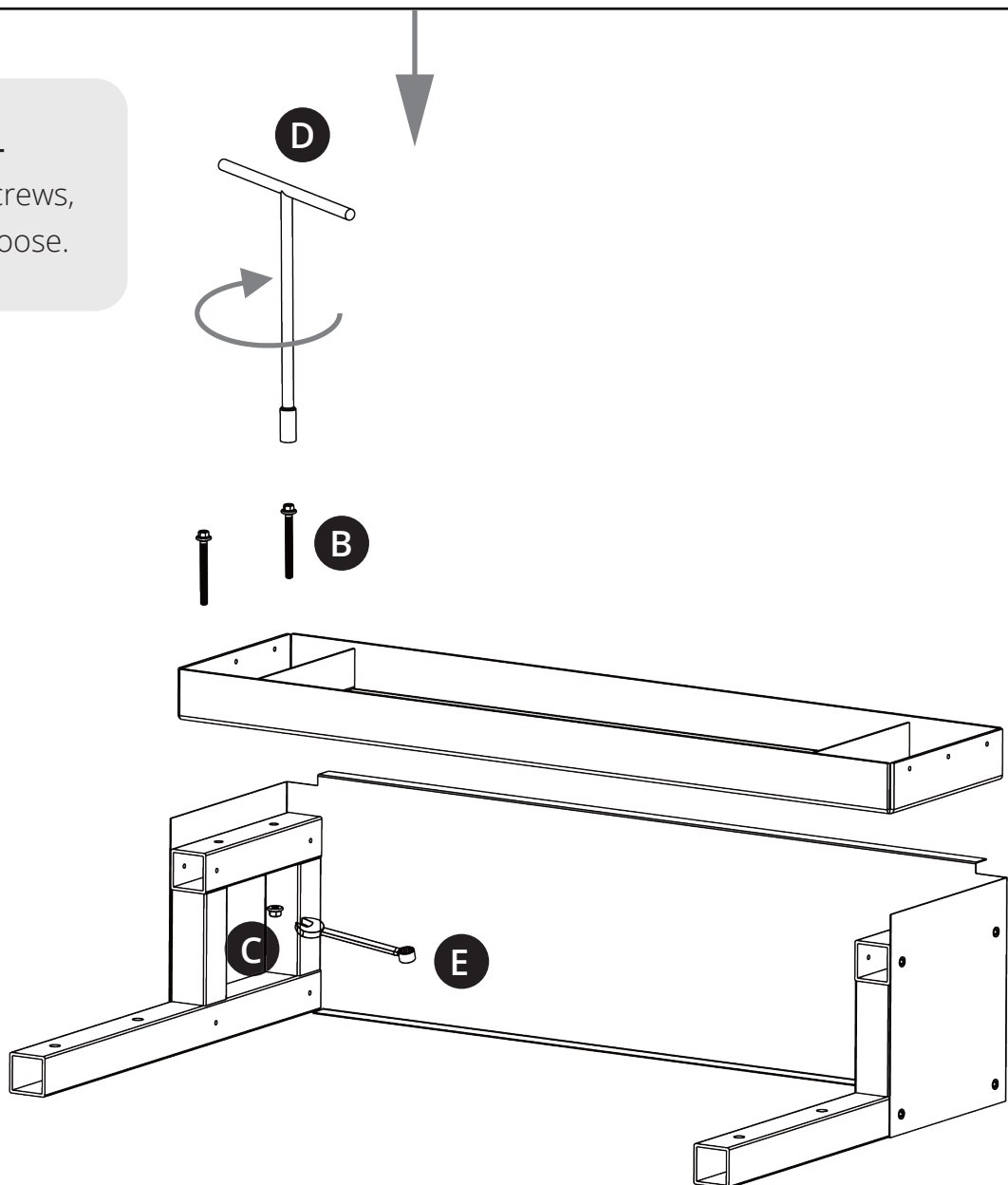
Tighten the screws, do not leave loose.

Mounting the Bottom Plate

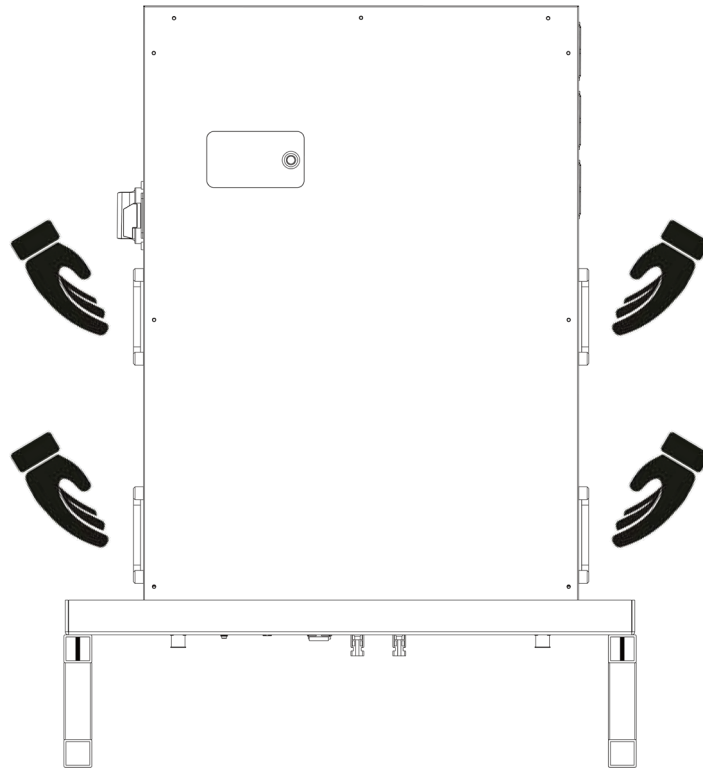


Please Note -

Tighten the screws,
do not leave loose.

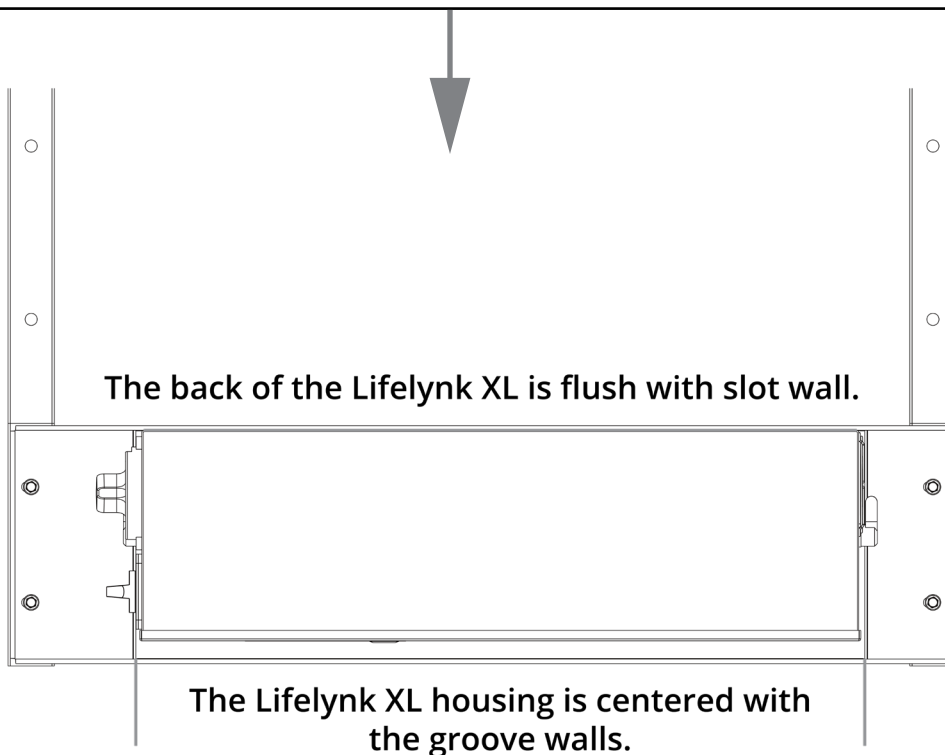


Mounting the Lifelynk XL

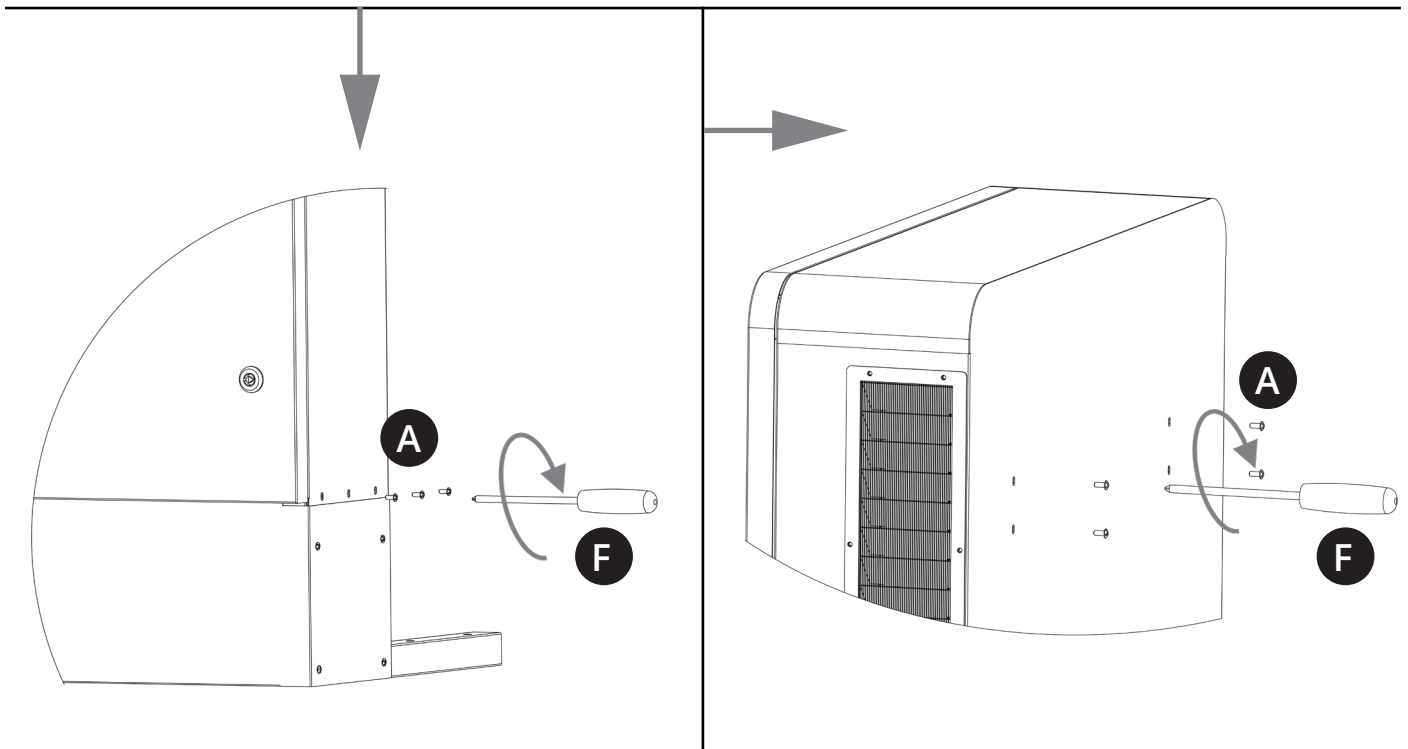
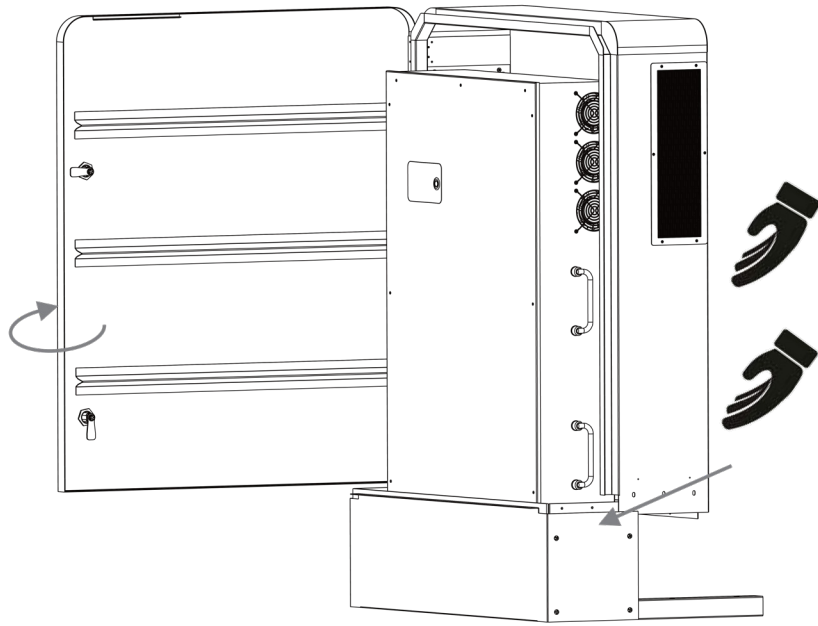


Please Note -

Move the Lifelynk XL vertically onto the limit slot to prevent the bottom terminal touching the slot wall.



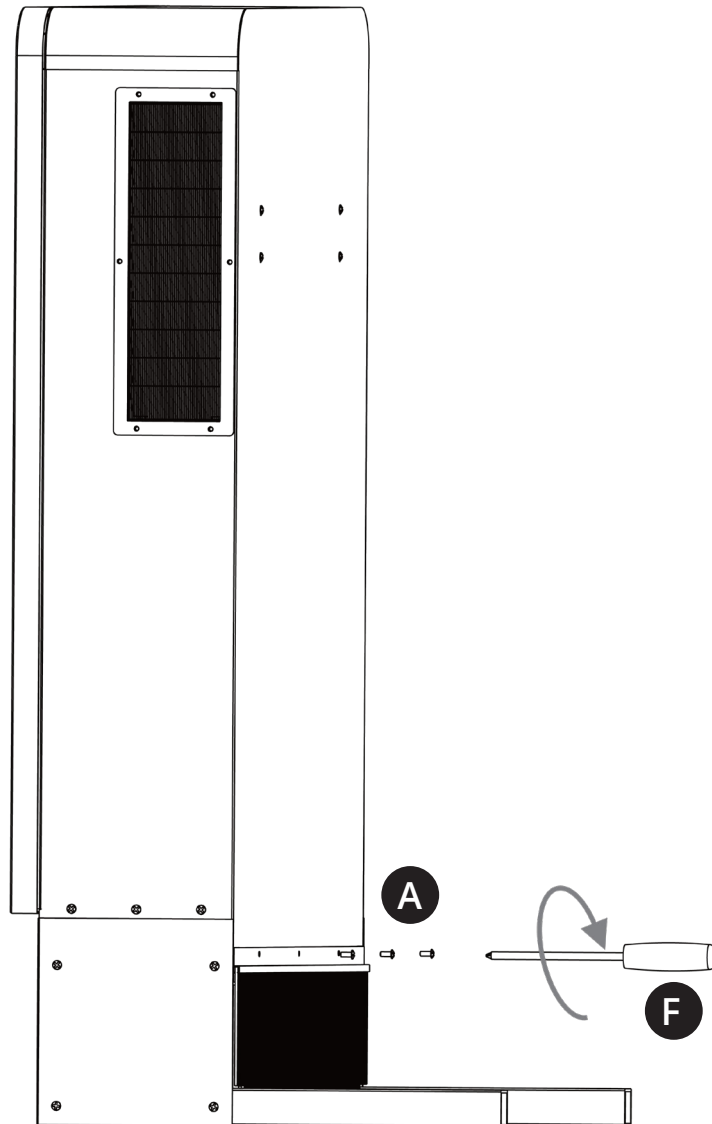
Mounting the Main Structure



Please Note -

Carefully place the main structure into the notch and push it forward. Be mindful of the door to avoid clamping your hand. Secure the screws tightly, making sure they are not left loose.

Mounting the Industrial Brush Strips



Please Note -

Tighten the screws, do not leave loose.



Contact Us

Call +44 151 832 4300 **Email** sales@sunsynkmobile.com **Website** www.sunsynkmobile.com

Address

- HK** Room 702-704, 7/F Texwood Plaza, 6 How Ming Street, Kwun Tong, Kowloon, Hong Kong
- UK** Sunsynk UK Ltd, 17 Turnstone Business Park, Mulberry Avenue, Widnes, Cheshire, WA8 0WN
- SA** Globaltech Sunsynk South Africa (Pty) Ltd, Unit 2 Highview Boulevard, Ferndale 2194
- NL** Sunsynk NL BV, Henri Wijnmalenweg 8, 5657 EP Eindhoven, Netherlands
- AU** Level 1, 982-988 Wellington Street, West Perth WA 6005, Australia
- ES** Tafetana, 32 P.I. Las Andoriñas 38639 Las Chafiras Santa Cruz de Tenerife
- US** 100 S. Ashley Drive, Suite 600, Tampa, Florida, 33602, United States of America